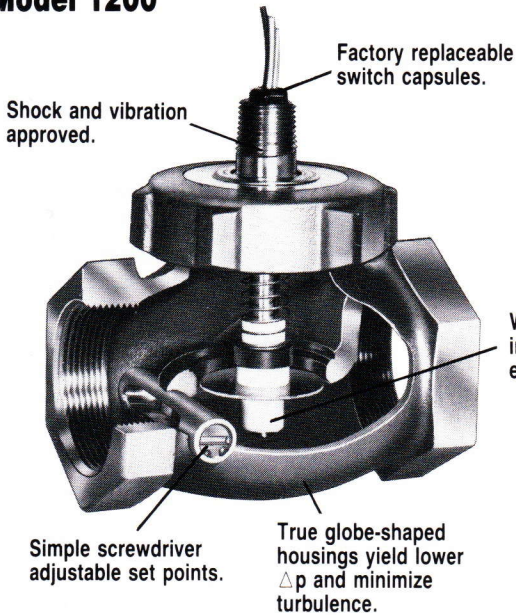


1200 & 1400

Please turn to our **Company Profile** and **Level Switch Selection Guide** to learn more of the advantages in specifying **Thomas Products Ltd.** sensors.

ADJUSTABLE SET POINTS, 1" NPT, BRONZE

Model 1200



Applications:

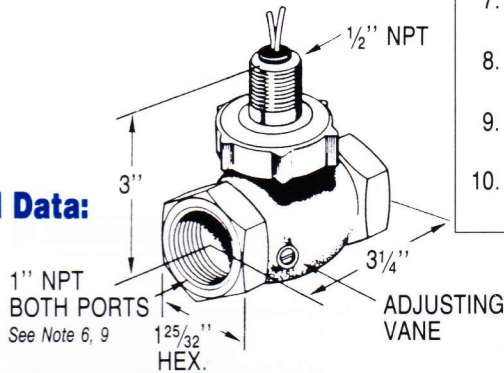
- Protects pumps and bearings.
- Coolant Systems.
- HVAC Equipment.

Notes: Model 1200/1400

1. Strain reliefs are standard. Optional silicone potting avail. Consult factory.
2. Optional 100W SPST reed switches are stocked. Consult factory.
3. Relays for higher loads, junction boxes, terminal strips, etc. are available. See accessories section for details (See Page 28)
4. Also available: Leads in different lengths, cables, terminated ends, etc. Consult factory.
5. Other wetted materials: ceramic ring magnet.
6. Optional port sizes: BSP, SAE, silver-braze, socket weld, etc. Consult factory.
7. High temperature units available to 400°F. Consult factory.
8. Factory calibrated set points available. Consult factory.
9. For smaller pipe sizes, install appropriate size bushings.
10. Model 1200 is available in 316 SST. Consult factory.

Welding performed in low hydrogen environment.

Dimensional Data:

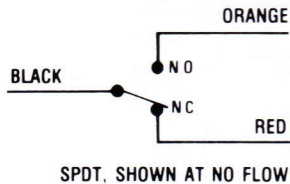


Specifications:

Housing	Shuttle	Spring	"O" Ring	Reed Switch	Wire	Oper. Temp.	Oper. Pres.	Proof Load	Burst Strength	Set Pt. Diff.	Repeat-ability
Bronze <i>See Note 10</i>	Teflon <i>See Note 5</i>	316 SST	Viton "A"	20 Watt SPDT <i>See Note 2, 3</i>	18 AWG 24" Lg. Polymeric <i>See Note 4</i>	-20°F to +300°F <i>See Note 7</i>	400 PSI @ 100°F	800 PSI @ 100°F	1200 PSI @ 100°F	± 10%	1% Max. Deviation

Electrical:

Reed switch shown in NO FLOW condition.



Part No.

SIZE NPT	FLOW SETTING RANGE GPM <i>See Note 8</i>	P/N
1"	.75 - 6.0	18271
<i>See Note 6, 9</i>	2.0 - 8.0	18272
	5.0 - 15.0	18273

Switch Ratings... Max Resistive Load

V.A.	VOLTS	AMPS DC	AMPS AC	AMPS AC MAX
20	0-50	.4	.4	1.0
	120	.15	.16	
	240	.06	.08	

Switch Rating 20 VA: 120-240 VAC Pilot Duty
U.L. File E86797

Pressure Drop Δp:

