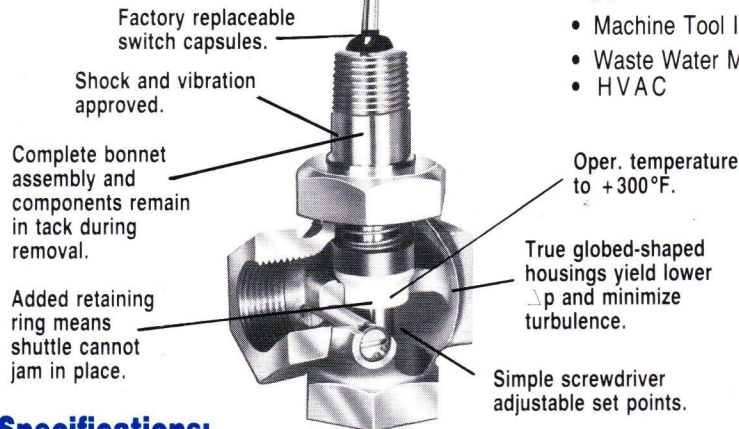


# 1200 & 1400

Please turn to our **Company Profile** and **Level Switch Selection Guide** to learn more of the advantages in specifying **Thomas Products Ltd.** sensors.

## ADJUSTABLE SET POINTS, 3/4" NPT, BRONZE

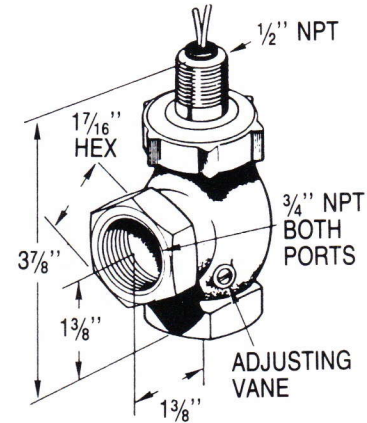
### Model 1400



### Applications:

- Machine Tool Industry
- Waste Water Monitoring
- HVAC

### Dimensional Data:



### Specifications:

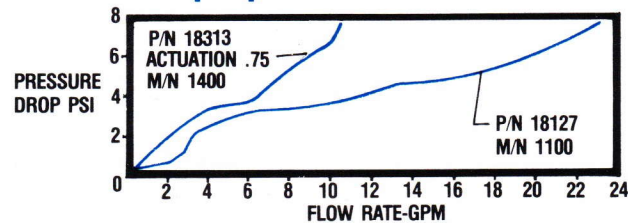
Housing	Shuttle	Spring	"O" Ring	Reed Switch	Wire	Oper. Temp.	Oper. Pres.	Proof Load	Burst Strength	Set Pt. Diff.	Repeat-ability
Bronze	Teflon <i>See Note 5</i>	316 SST	Viton "A"	20 Watt SPDT <i>See Note 2,3</i>	18 AWG 24" Lg. Polymeric <i>See Note 4</i>	-20°F to +300°F <i>See Note 7</i>	400 PSI @ 100°F	800 PSI @ 100°F	1200 PSI @ 100°F	± 10%	1% Max. Deviation

**Electrical:** See Model 1200

### Pressure Drop $\Delta p$ :

### Part No.

SIZE NPT	FLOW SETTING RANGE GPM <i>See Note 8</i>	P/N
3/4"	.75 - 4.0	18313
	2.0 - 8.0	18314
	7.0 - 14.0	18315



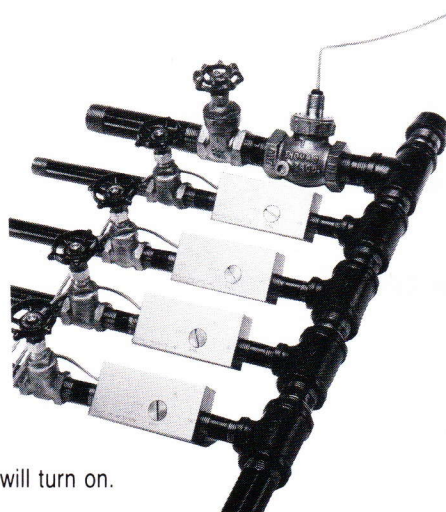
### Applications:

#### COOLANT MANIFOLD ON AN INJECTION MOLDING MACHINE:

Eliminate constant visual inspection of minimum coolant flow by using flow switches. You can be sure sufficient flow is automatically monitored. Flow switches activate audible alarms, lights, etc., warning you of insufficient flow. Operation is simple:

1. Close all flow control valves.
2. Open all flow switch set point adjusting vanes (alarms will turn on).
3. Turn on coolant.
4. Open each flow control valve to correct flow rate (starting at highest flow).
5. Close each flow switch set point adjusting vane until alarms just turn off.

Whenever the flow rates drop under that set point, your alarms will turn on.



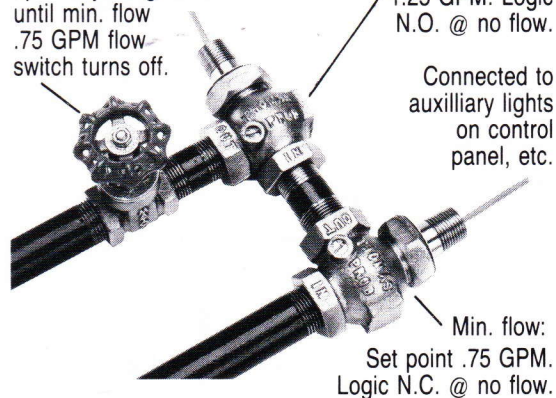
#### LUBE OIL MONITORING SYSTEM ON A ROLLING MACHINE:

1 GPM is needed in the oil bath to lubricate and cool large bronze bearings.

While lube oil is pumping, open adjusting valve until min. flow .75 GPM flow switch turns off.

Max. flow: Set point 1.25 GPM. Logic N.O. @ no flow.

Connected to auxilliary lights on control panel, etc.



Whenever the flow rate rises or drops out of the set point range, your alarm will turn on.