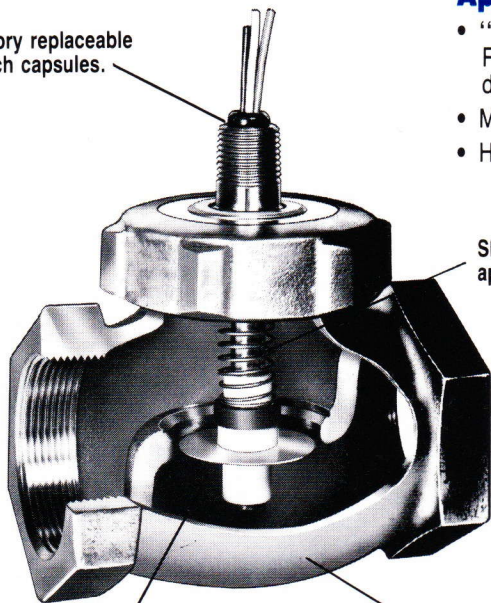


1100

Please turn to our **Company Profile** and **Level Switch Selection Guide** to learn more of the advantages in specifying **Thomas Products Ltd.** sensors.

FIXED SET POINTS, 3/4" - 3" NPT, BRONZE & SST

Factory replaceable switch capsules.



Applications:

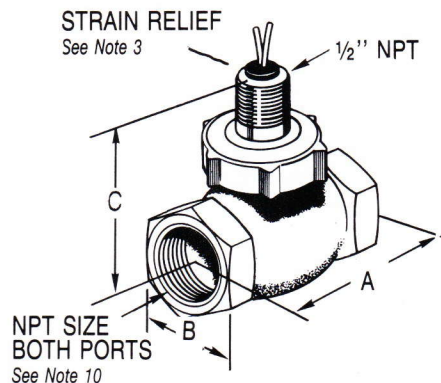
- "INDUSTRIAL STANDARD" Rugged and accurate flow detection for most applications.
- Machine Tool Industry
- HVAC Equipment

Shock and vibration approved.

Welding performed in low hydrogen environment.

True globe-shaped housings yield lower ΔP and minimize turbulence.

Dimensional Data:



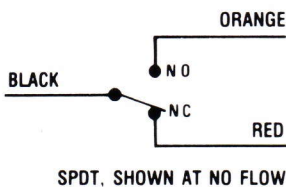
SIZE NPT	A	B HEX	C
3/4"	27/8	13/8	23/4
1"	31/4	125/32	3
1 1/4"	4	23/16	33/16
1 1/2"	4 1/2	2 1/2	3 1/2
2"	5 3/8	33/32	4
2 1/2"	6 5/16	3 5/8	4 1/2
3"	7 3/8	4 3/8	5 5/32

Specifications:

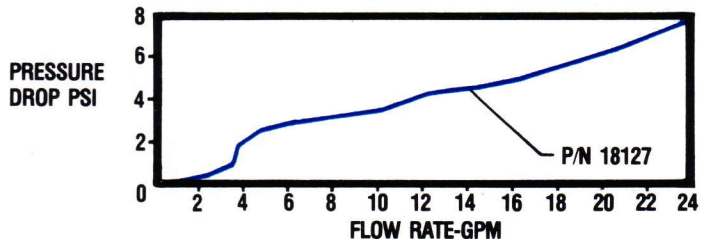
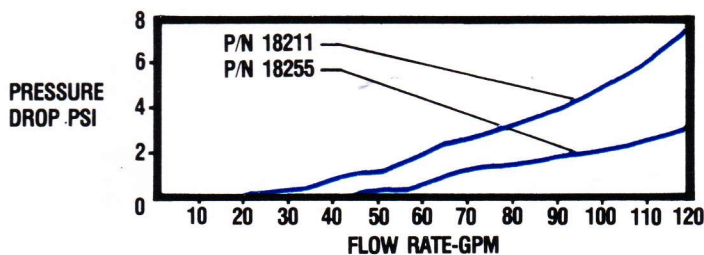
Housing	Shuttle	Spring	"O" Ring	Reed Switch	Wire	Oper. Temp.	Oper. Pres.	Proof Load	Burst Strength	Set Pt. Accur.	Set Pt. Diff.	Repeatability
Bronze or 316 SST	Teflon <small>See Note 7</small>	316 SST	Viton "A"	20 Watt SPDT <small>See Notes 4,5</small>	18 AWG 24" Lg. Poly-meric <small>See Note 6</small>	-20°F to +300°F <small>See Note 11</small>	400 PSI @ 100°F	800 PSI @ 100°F	1200 PSI @ 100°F	± 10% MAX. <small>See Note 14</small>	± 10%	1% Max. Deviation

Electrical:

Reed switch shown in NO FLOW condition.



Pressure Drop Δp :



Switch Ratings... Max Resistive Load

V.A.	VOLTS	AMPS DC	AMPS AC	AMPS AC MAX
20	0-50	.4	.4	1.0
	120	.15	.16	
	240	.06	.08	

Switch Rating 20 VA: 120-240 VAC Pilot Duty
UL File E86797