

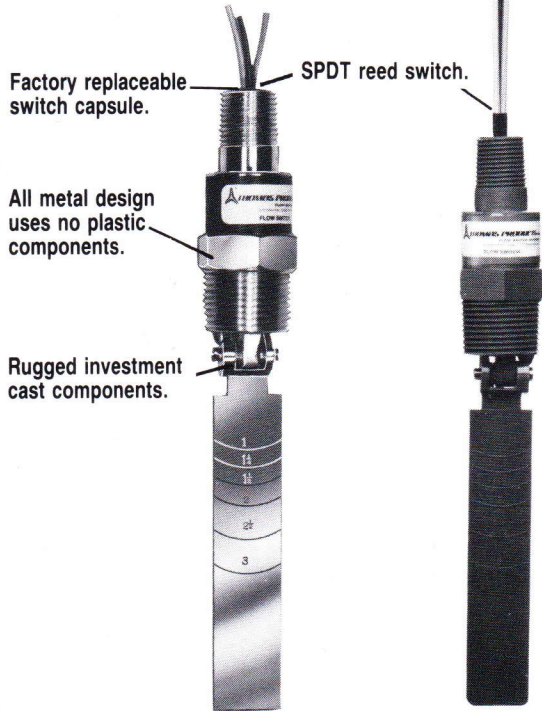
2400/2500

Please turn to our **Company Profile** and **Level Switch Selection Guide** to learn more of the advantages in specifying **Thomas Products Ltd.** sensors.

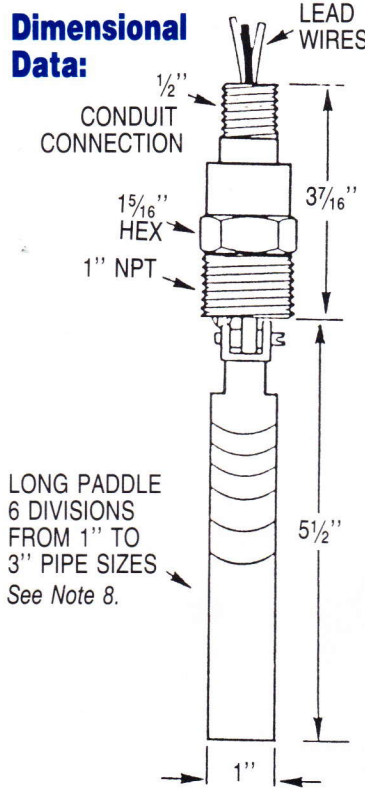
ADJUSTABLE PADDLE TYPE, BRASS, SST, PLASTIC

Model 2400

Model 2500



Dimensional Data:



Notes: Model 2400/2500

- Flow tests were performed in water with unit installed into standard reducing tee.
- Set point accuracy depends on paddle cut-off length.
- Unit installs into a 1" reducing tee or weld-o-let etc. for 1" pipe sizes and up.
- Install vertically as shown, lead wires up.
- Higher temperature units available up to 450° F. Consult factory.
- Relays for higher loads, junction boxes, terminal strips, etc. are available. See accessories section for details (See Page 28)
- To adjust flow set point, simply cut paddle for the appropriate set point listed. See also installation/maintenance sheet.
- For pipe sizes larger than 3", actuation of the 5" paddle is a velocity of approximately .5 ft./sec.
- Also available: leads in different lengths, cable, terminated ends, etc. Consult factory.
- Optional 100W SPST reed switches are stocked. Consult factory.

Specifications:

Model	Housing	Paddle	Shuttle	Spring	Reed Switch	Wire	Oper. Temp.	Oper. Pres. Max.	Set Pt. Accur.	Repeat-ability	Pressure Drop
2400	Brass or 316 SST	316 SST	316 SST	316 SST	20 Watt SPDT	18 AWG 24" Lg. Polymeric	-30°F to +300°F <i>See Note 5</i>	850 PSIG	± 25% MAX. <i>See Note 2</i>	± 5%	3 PSIG MAX.
2500	Poly-sulfone	Poly-sulfone	Poly-sulfone		<i>See Notes 6, 10</i>	<i>See Note 9</i>	-20° to +225°F	150 PSIG			

Part No.

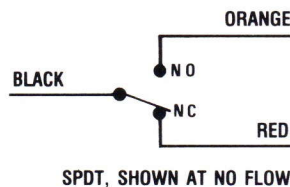
MODEL NO.	P/N BRASS	P/N 316 SST	P/N POLYSULFONE
2400	19650	19651	
2500			19652

Actuation-Deactuation in GPM/Water *See Notes 1-4, 7, 8*

Paddle Cut-Off	PIPE LINE SIZES											
	1"		1 1/4"		1 1/2"		2"		2 1/2"		3"	
	ACT	DA	ACT	DA	ACT	DA	ACT	DA	ACT	DA	ACT	DA
1"	6	4	9	7	13	9						
1 1/4"			7	5	9	7	16	13				
1 1/2"					13	9	23	16	34	30		
2"							17	12	24	20	26	22
2 1/2"									18	15	22	19
3"											17	14

Electrical:

Reed switch shown in NO FLOW condition.



Switch Ratings... Max Resistive Load

V.A.	VOLTS	AMPS DC	AMPS AC	AMPS AC MAX
20	0-50	.4	.4	1.0
	120	.15	.16	
	240	.06	.08	

Switch Rating 20 VA: 120-240 VAC Pilot Duty