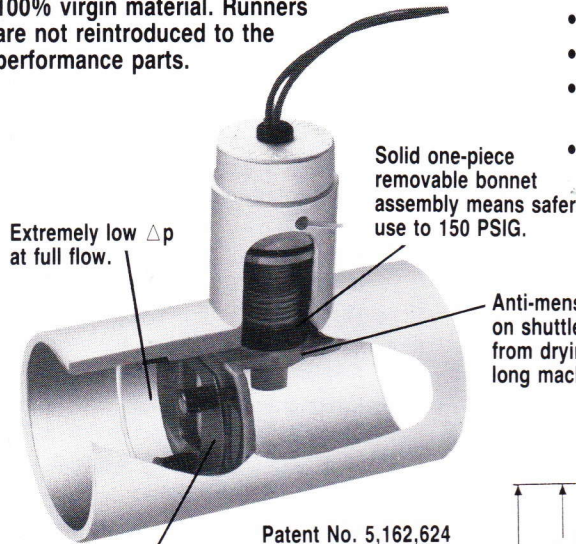


FIXED SET POINTS, 1/2" - 2" PVC

Plastic components are molded **UL** in-house using only certified 100% virgin material. Runners are not reintroduced to the performance parts.



Extremely low Δp at full flow.

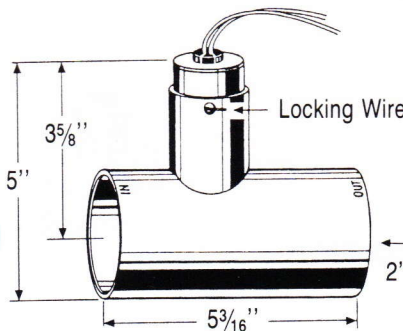
Solid one-piece removable bonnet assembly means safer use to 150 PSIG.

Anti-mensuous projections on shuttle prevents shuttle from drying in place after long machine shutdowns.

Patent No. 5,162,624

Patented clapper design bypasses higher flow after the set point is reached to allow for full flow and help pass particulates.

Dimensional Data:



Applications:

- Straight thru flow design.
- PVC Construction.
- Removeable bonnet assembly.
- Return spring for any mounting attitude.
- Very low pressure drop.

Notes: Model 2600

1. Standard flow calibration is in water @ 70°F with lead wires up. Calibrated on decreasing flow.
2. Temperature effect on flow settings: water calibration, slight change; oil varies with viscosity.
3. Optional SPDT reed switches are available. Consult factory.
4. Lead wires are available in different lengths, terminated ends, cables, etc. Consult factory.
5. Relays are available for handling higher loads. See accessories section for details. (See Page 28)
6. Other wetted materials: ceramic ring magnet.
7. When specifying Model 2600 with 1/2" NPT conduit connector, only plastic junction box and flexible conduit should be used.
8. Calibration: Flow stands are calibrated to the National Bureau of Standards and Thomas Products Ltd. recalibration schedule.

Specifications:

Housing	Shuttle	Spring	"O" Ring	Reed Switch	Wire	Oper. Temp.	Oper. Pres.	Set Pt. Accur.	Set Pt. Diff.
PVC	PVC <i>See Note 6</i>	316 SST	Viton "A"	20 Watt SPST <i>See Notes 3, 5</i>	18 AWG 24" Lg. PVC <i>See Note 4</i>	-20°F to +140°F	150 PSIG	±20% <i>See Note 8</i>	20% MAX.

Electrical: Reed switch shown in NO FLOW condition.

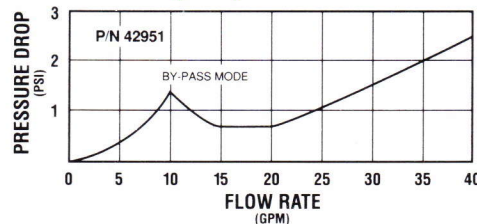


Switch Ratings...Max Resistive Load

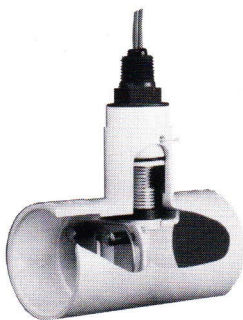
V.A.	VOLTS	AMPS DC	AMPS AC	AMPS AC MAX
20	0-50	.4	.4	1.0
	120	.15	.16	
	240	.06	.08	

Switch Rating 20 VA: 50-240 VAC Pilot Duty

Pressure Drop Δp :



Specialty Options:



Model 2600 with 1/2" conduit connector. See Note 7.

Part No.

STD. FLOW SETTING	.5 GPM	1.0 GPM	2.0 GPM
<i>See Notes 1, 2, 8</i>			
P/N	42951	42952	42953

ACCESSORY ADAPTERS:

Model 2600 may be used as is with 2" slip ports or with any combination of adapters shown.

P/N	"A"	DIMENSIONAL DATA
42954	1 1/2"	<p>"A" SLIP</p>
42955	1 1/4"	
42956	1"	
42957	3/4"	
42958	1/2"	
P/N	"B"	DIMENSIONAL DATA
42959	1 1/2"	<p>"B" NPT</p>
42960	1 1/4"	
42961	1"	
42962	3/4"	
42963	1/2"	