

4200 SINGLE LEVEL

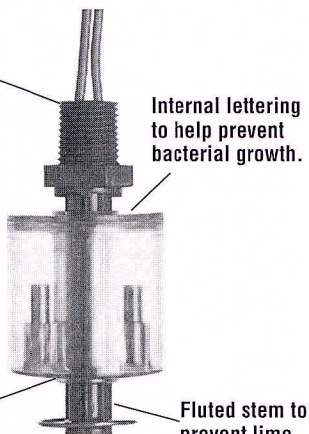
PLASTIC STEM

Plastic 1/8" NPT

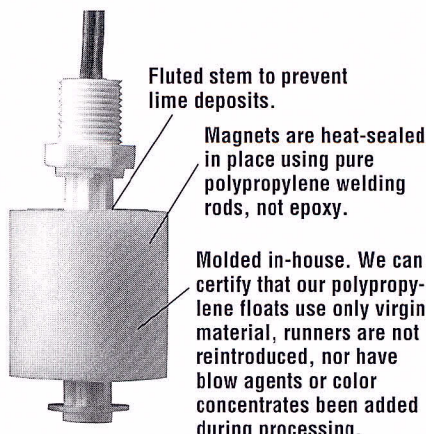
Unique assembly procedure eliminates stress by actually suspending the reed switch allowing for thermal expansion and contraction.

Beverage control food contact. Made of FDA approved material.

Anti-meniscus projections mean float cannot dry in place after lengthy machine shut downs.

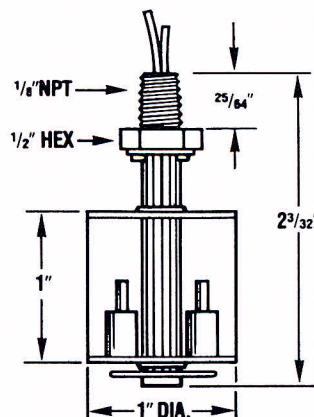


P/N 24251



P/N 42654

DIMENSIONAL DATA:



Specifications:

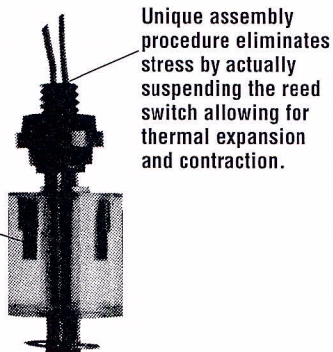
P/N	Mounting	Stem	Float	Switch	Lead Wires	Operating Temp.	Operating Pressure
24251	1/8" NPT	Poly-sulfone	Poly-sulfone <i>See Note 3</i>	20VA SPST <i>Note 2</i>	22 AWG PVC 24" Long <i>See Note 1</i>	-40°F to +225°F	75 PSIG Max.
42654		Poly-propylene	Poly-propylene <i>See Note 4</i>				100 PSIG Max.

All Model 4200 level switches depicted are available with cable. All specifications are the same except for operating temperatures of -40°F to +176°F. Determine length of cable required and contact factory sales department for pricing. *See Note 7.*

When extending a level switch deep into a tank, configuration shown can mount, confine and protect the lead wires.

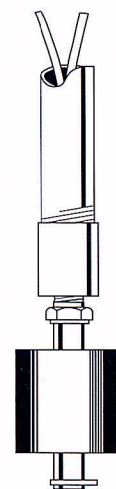
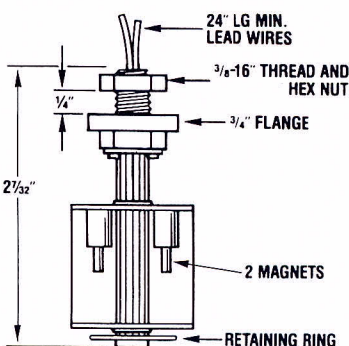
Plastic 3/8" -16 Bulkhead

Magnets hermetically sealed from the inside of the float means no potting is exposed to the media.



P/N 24252

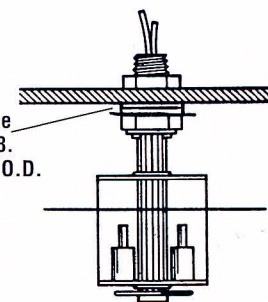
DIMENSIONAL DATA:



Specifications:

P/N	Mounting	Stem	Float	Switch	Lead Wires	Operating Temp.	Operating Pressure
24252	3/8" - 16 Bulkhead With Nut * Gasket P/N 3488 <i>See Dwg. 1.0</i>	Poly-sulfone	Poly-sulfone <i>See Note 3</i>	20VA SPST <i>See Note 2</i>	22 AWG PVC 24" Long <i>See Note 1</i>	-40°F to +225°F	75 PSIG Max.

Optional silicone gasket P/N 3488. 1/16" thick 3/4" O.D. 40 durometer.



Drawing 1.0